

Three Handle Tub & Shower Faucet

Product Spec Sheet



FEATURES & BENEFITS

- Metal Round Handles
- Washerless Cartridges
- Non Pressure Balanced
- Spout Without Diverter
- Max Flow Rate 2.0 gpm (7.6 L/min) at 80 psi
- Min Flow Rate 1.5 gpm (5.7 L/min) at 45 psi (ASME A112.18.1M/A112.18.1)

OPV-870C
Chrome Finish

APPROVALS:

Meets or Exceeds The Following:

* ANSI/ASME A112.18.1M/A112.18.1



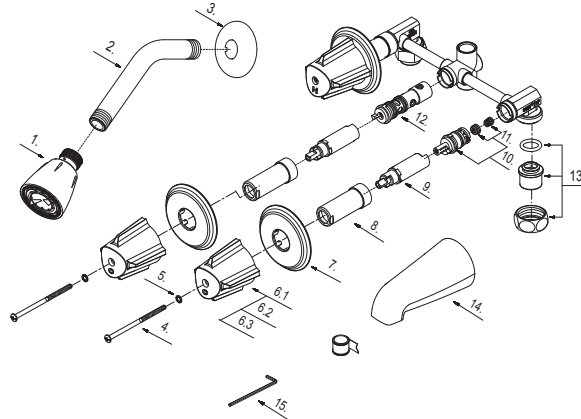
* WaterSense Only On Models Containing Showerheads

TEL: 800-217-4603

Visit Our Web Site : www.omniprofaucets.com

Three Handle Tub & Shower Faucet

No.	Name	Part No.
1	Shower Head	S1214202
2	Shower Arm	A020002
3	Shower Arm Flange	A019001
4	Screw	A008019
5	Washer	A080010ZN
6.1	Metal Handle-Cold	A069128C
6.2	Metal Handle-Hot	A069128H
6.3	Metal Handle-Diverter	A069128M
7	Escutcheon	A111001-S
8	Sleeve	A216106
9	Stem Extension-Hot	A517000H
10	Cartridge Assembly	A66D636N
11	Seat & Spring Set	A663002
12	Diverter Cartridge	A501016
13	Union Nut	A603668
14	Spout	A132025
15	Hex Wrench	(H3.18 *20 mm L * 90 mm L) A031017NI



Product Spec Sheet

