

□ **OPV-402C**

□ **OPV-402CL**

**OmniPro**

## **4" Two Handle Lavatory Faucet**



# Product Spec Sheet

### **FEATURES & BENEFITS**

- This Product Contains Less Than 0.25% Weighted Average Lead Content On Wetted Surfaces
- Acrylic Round Handles
- Washerless Cartridges
- Brass Pop-up
- Max Flow Rate 1.2 gpm (4.5 L/min) at 60 psi (ASME A112.18.1M/A112.18.1)

OPV-402C  
Chrome Finish

OPV-402CL  
Less Pop-up  
Chrome Finish

### **APPROVALS:**

**Meets or Exceeds The Following:**

- \* ANSI/ASME A112.18.1M/A112.18.1
- \* NSF/ANSI 61 - Sec. 9
- \* NSF/ANSI 372
- \* IAPMO/cUPC
- \* CA AB1953



NSF/ANSI 372  
NSF/ANSI 61-9

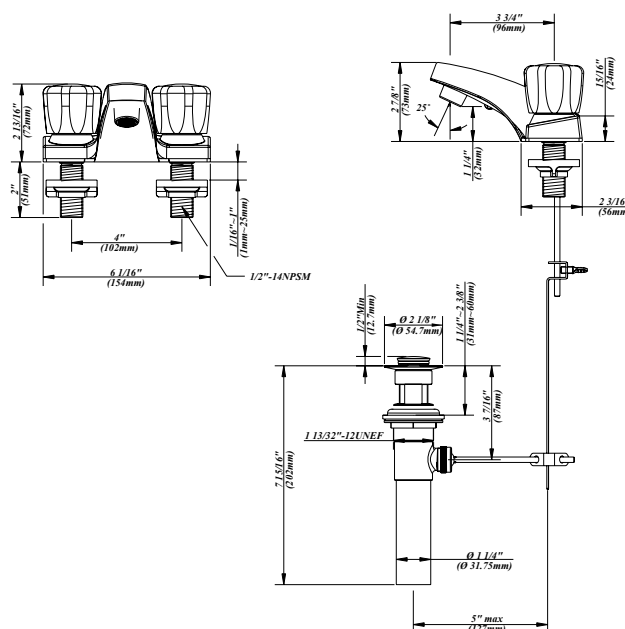
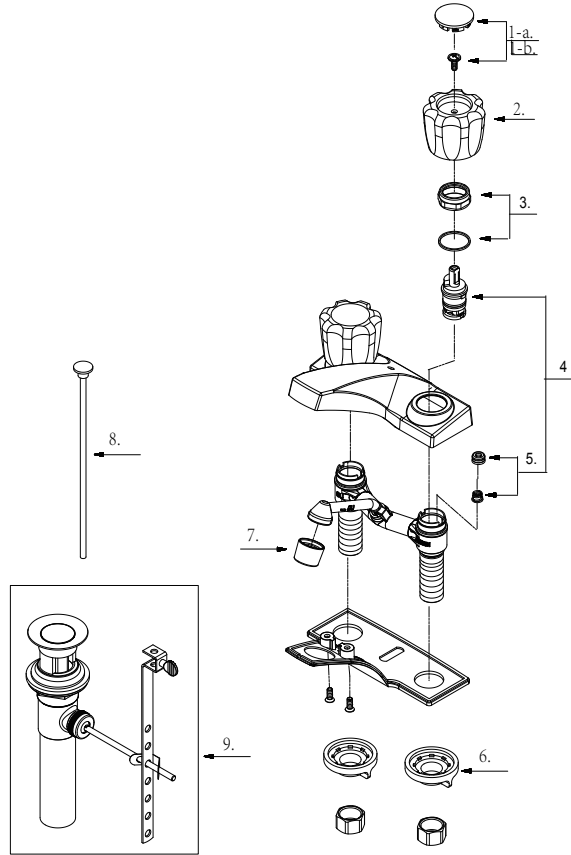


**TEL: 800-217-4603**

Visit Our Web Site : [www.omniprofaucets.com](http://www.omniprofaucets.com)

# 4" Two Handle Lavatory Faucet

No.	Name	Part No.
1-a	Index Button-Cold	A66E233C
1-b	Index Button-Hot	A66E233H
2	Acrylic Handle	A029001
3	Retainer Nut & Washer	A66D639
4	Cartridge Assembly	A66D636N
5	Seat & Spring Set	A663002
6	Lock Nut Set	A504023
7	Aerator	A500267N-64
8	Lift Rod	A025011
9	Pop-up Assembly	A556200



**Product Spec Sheet**