

## **Universal Pressure Balancing Valve Body**



### **FEATURES & BENEFITS**

- Washerless Cartridge
- Pex Connection
- Less Stops

OPSR-799P  
Chrome Finish

#### **APPROVALS:**

**Meets or Exceeds The Following:**

- \* ANSI/ASME A112.18.1
- \* IAPMO/cUPC
- \* ASSE 1016-2005



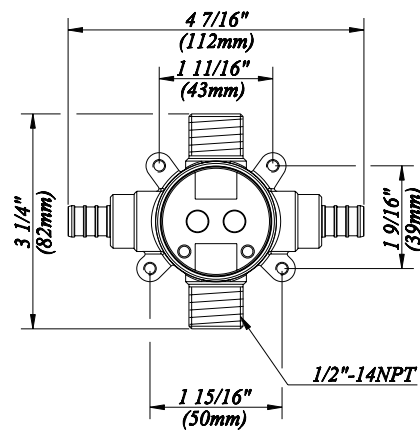
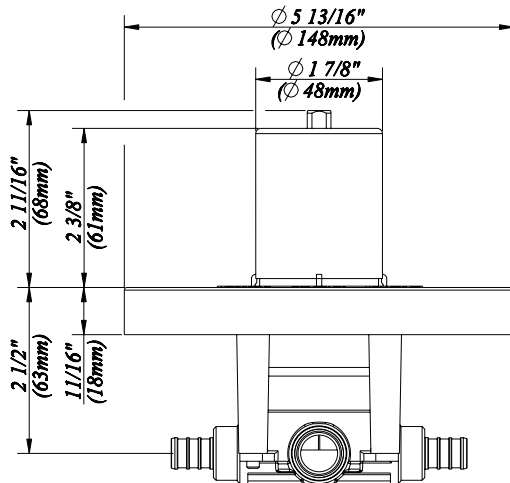
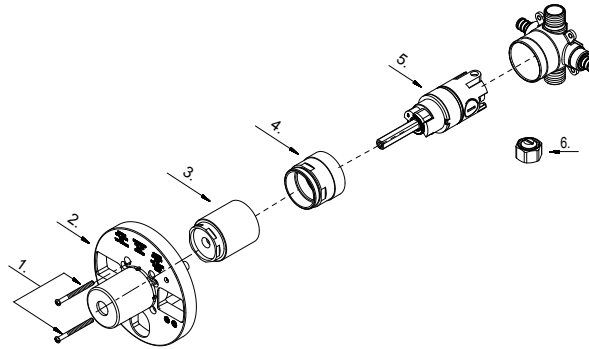
**Product Spec Sheet**

**TEL: 800-217-4603**

**Visit Our Web Site : [www.omniprofaucets.com](http://www.omniprofaucets.com)**

# Universal Pressure Balancing Valve Body

No.	Name	Part No.
1	Screw Set	A608519
2	Plaster Guard	A127007
3	Sleeve	A103322
4	Retainer Nut	A103310
5	Washerless Cartridge Assembly	A507975
6	Plug	A028452



# Product Spec Sheet