

Universal Pressure Balancing Valve Body

Product Spec Sheet



FEATURES & BENEFITS

- Washerless Cartridge
- Sweat & IPS Connections
- Less Stops

OPSR-799
Chrome Finish

APPROVALS:

Meets or Exceeds The Following:

- * ANSI/ASME A112.18.1
- * IAPMO/cUPC
- * ASSE 1016-2005

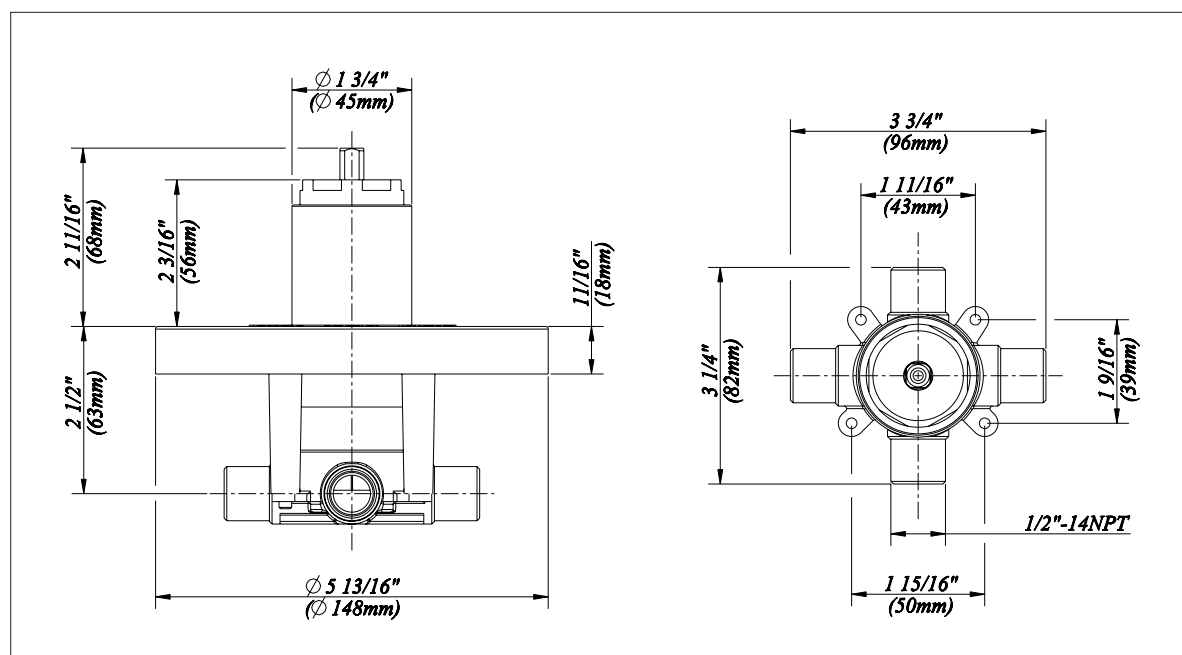


TEL: 800-217-4603

Visit Our Web Site : www.omniprofaucets.com

Universal Pressure Balancing Valve Body

No.	Name	Part No.
1	Sleeve	A103322
2	Retainer Nut	A103310
3	Screw Set (3/16" -24 * 2-3/16" L)	A608519
4	Plaster Guard	A127007
5	Washerless Cartridge Assembly	A507975
6	Plug	A028452



Product Spec Sheet