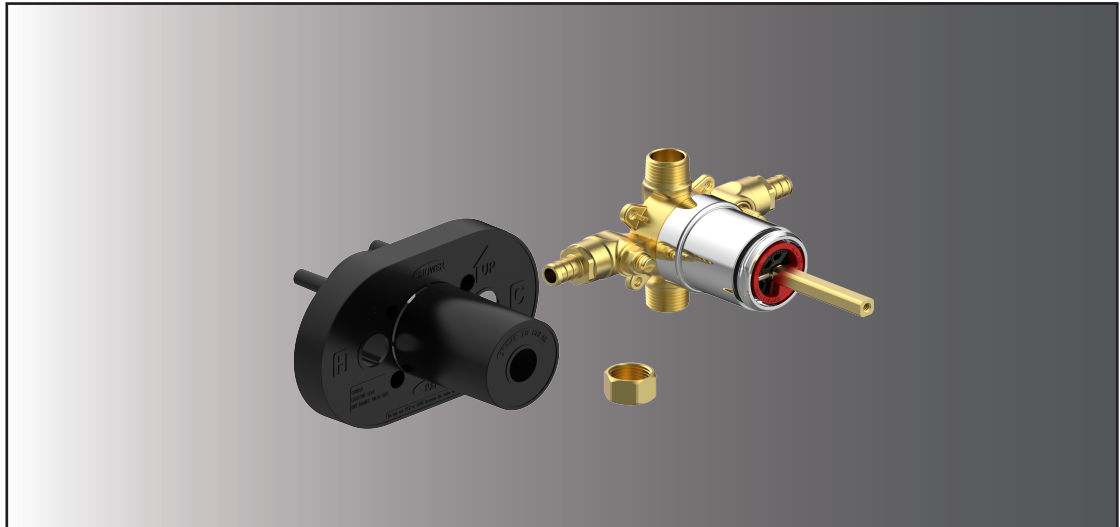


## **PRESSURE BALANCING VALVE BODY**



### **FEATURES & BENEFITS**

- Ceramic Cartridge
- Pex Connection
- With Stops

OPLR-799PWS

### **Approvals:**

Meets or Exceeds The Following:

- \* ANSI/ASME A112.18.1
- \* IAPMO/cUPC
- \* ASSE 1016-2005

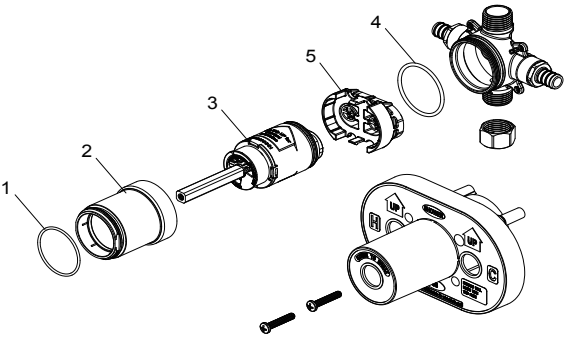
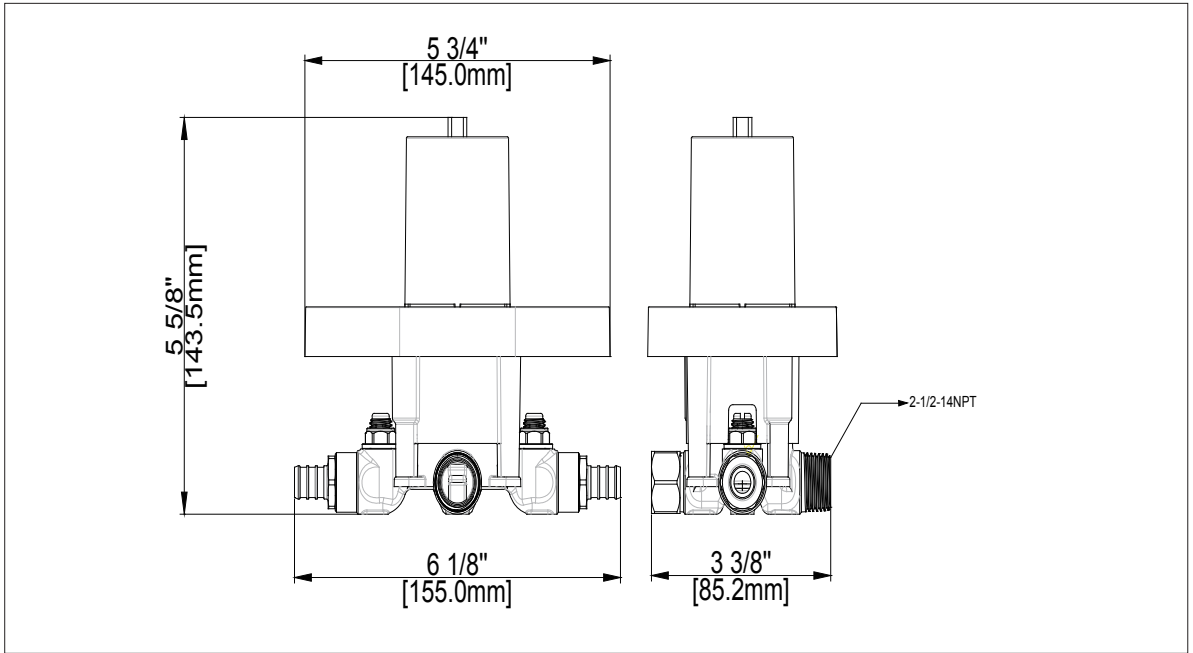


**TEL: 800-217-4603**

Visit Our Web Site : [www.omniprofaucets.com](http://www.omniprofaucets.com)

**PRESSURE BALANCING VALVE BODY**

No.	Name	Part No.
1	O-ring / A rotórico	RP60091
2	Bonnet / Bonete	RP70798
3	Cartridge / Cartucho	RP20131
4	O-ring / A rotórico	RP60130

**Product Spec Sheet**