

□ **OPL-505CF**

□ **OPL-505BNF**

Omniipro

Single Handle Lavatory Faucet

Product Spec Sheet



FEATURES & BENEFITS

- This Product Contains Less Than 0.25% Weighted Average Lead Content On Wetted Surfaces
- Metal Lever Handle
- Washerless Cartridge
- 50/50 Push Pop-Up
- Max Flow Rate 1.2 GPM (4.5L/Min) At 60 PSI (ASME A112.18.1/A112.18.1)

OPL-505CF
Chrome Finish

OPL-505BNF
Brushed Nickel Finish

Approvals:

Meets or Exceeds The Following:

- * ANSI/ASME A112.18.1/A112.18.1
- * NSF/ANSI 61 - Sec. 9
- * NSF/ANSI 372
- * IAPMO/cUPC
- * CA AB1953
- * ADA Compliant
- * EPA WaterSense
- * NSF/ANSI/CAN 61: $Q \leq 1$

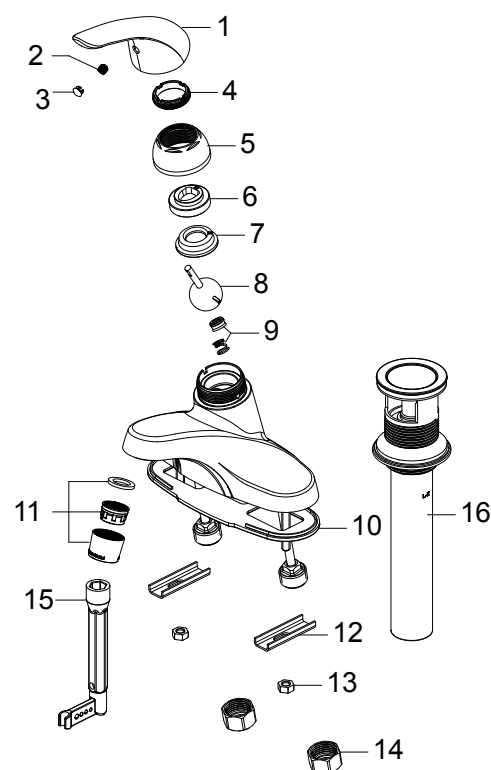
TEL: 800-217-4603

Visit Our Web Site : www.omniiprofaucets.com

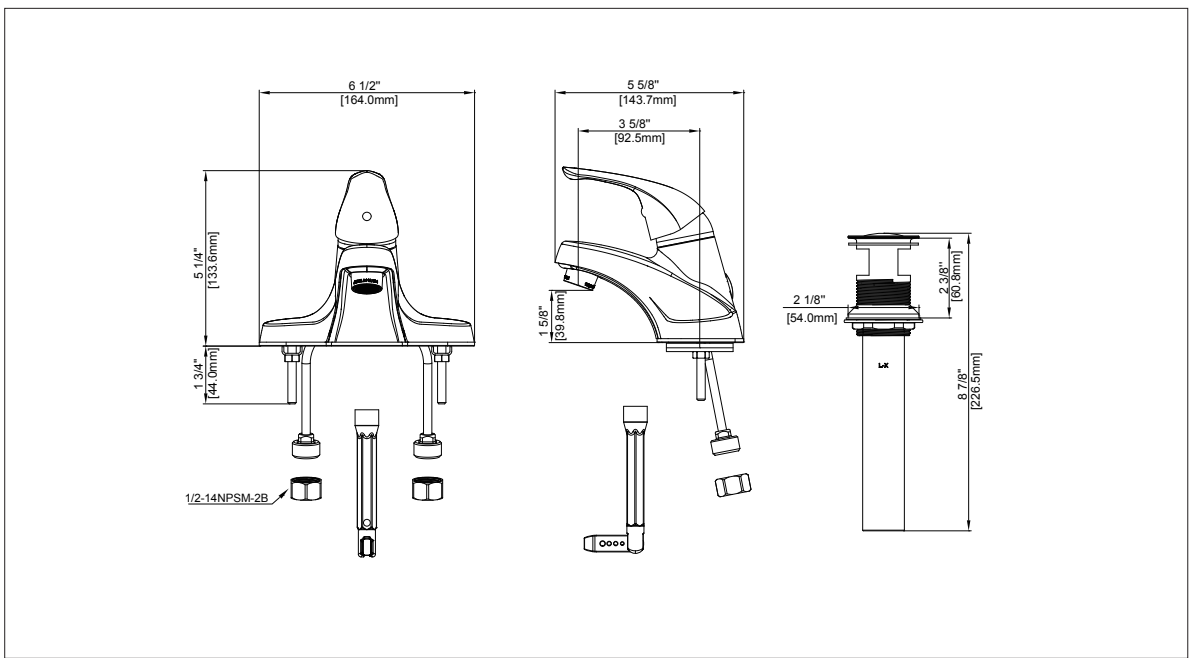


Single Handle Lavatory Faucet

No.	Name	Part No.
1	Handle / Llave	RP13163*
2	Set screw / Tornillo de fijación	RP50054
3	Index / Índice	RP10042
4	Bonnet / Bonete	RP70731
5	Cap / Tapa	RP80108*
6	Cam / Leva	RP70107
7	Cam washer / Arandela de leva	RP70108
8	Mixer ball / Bola de la mezcladora	RP22007
9	Seat & Spring / Base y resorte	RP22008
10	Gasket / Junta	RP80751
11	Aerator / Aireador	RP30190*
12	Washer / Arandela	RP64083
13	Nut / Tuerca	RP56033
14	Coupling nut / Tuerca de acoplamiento	RP56002
15	Spanner key / Llave de llave	RP70755
16	Pop-up assembly / Ensamblaje emergente	RP40317*



* Specify Finish
* Especifique el Acabado



Product Spec Sheet

TEL: 800-217-4603

Visit Our Web Site :

www.omniprofaucets.com