

Two - Handle Kitchen Faucet

Product Spec Sheet



FEATURES & BENEFITS

OPL-242C
Chrome Finish

- This Product Contains Less Than 0.25% Weighted Average Lead Content On Wetted Surfaces
- Acrylic Round Handle
- Washerless Cartridge
- Side Spray
- Max Flow Rate 1.5 GPM (5.7L/Min) At 60 PSI (ASME A112.18.1/A112.18.1)

Approvals:

Meets or Exceeds The Following:

- * ANSI/ASME A112.18.1/A112.18.1
- * NSF/ANSI 61 - Sec. 9
- * NSF/ANSI 372
- * IAPMO/cUPC
- * CA AB1953
- * NSF/ANSI/CAN 61: $Q \leq 1$

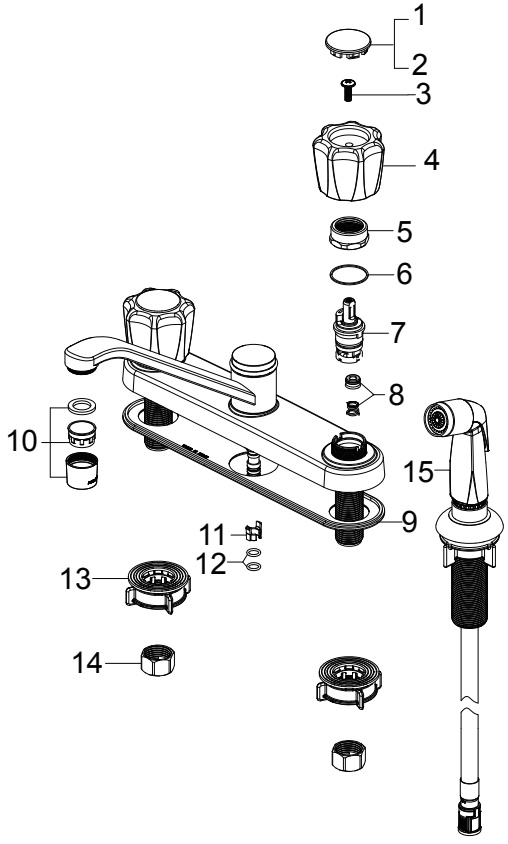


TEL: 800-217-4603

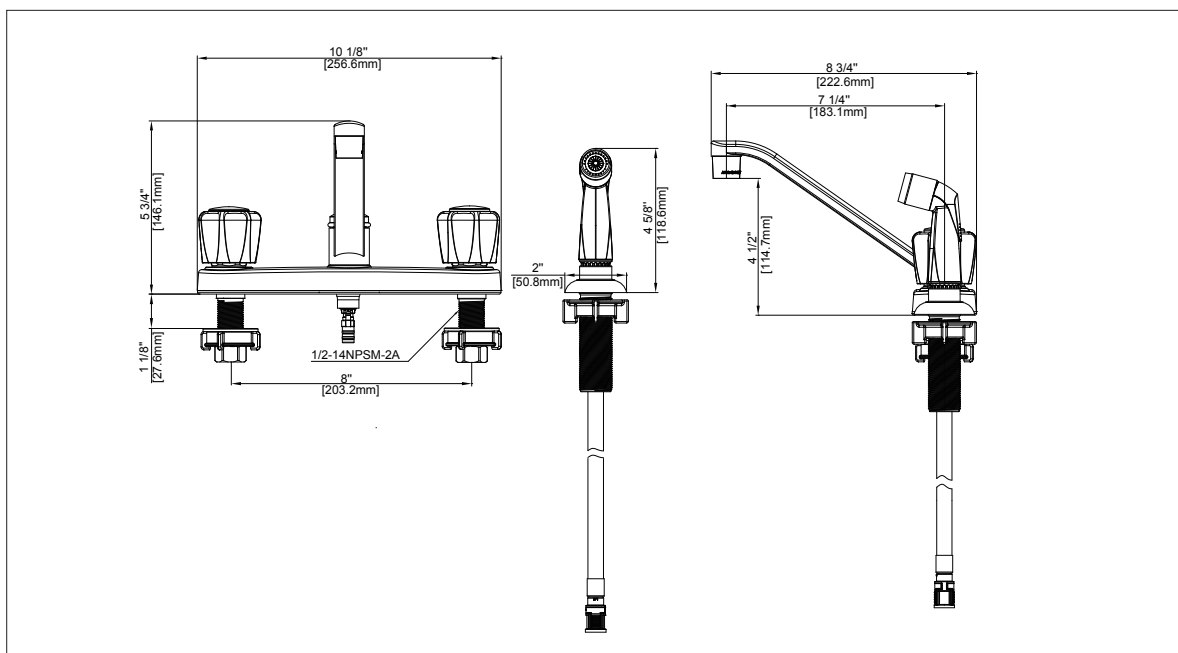
Visit Our Web Site : www.omniprofaucets.com

Two - Handle Kitchen Faucet

No.	Name	Part No.
1	Index H / Índice H	RP10028
2	Index C / Índice C	RP10029
3	Screw / Tornillo	RP50013
4	Handle / Llave	RP13305
5	Bonnet / Bonete	RP70678
6	Washer / Arandela	RP64124
7	Cartridge / Cartucho	RP22010
8	Seat & Spring / Base y resorte	RP22008
9	Gasket / Junta	RP70330
10	Aerator / Aireado	RP30067*
11	Block / Bloque	RP70421
12	O-ring / A rotórico	RP60002
13	Easy install nut / Tuerca fácil de instalar	RP56095
14	Coupling nut / Tuerca de acoplamiento	RP56002
15	Side spray / Rociador lateral	RP36089*



* Specify Finish
* Especificue el Acabado



Product Spec Sheet