

## **4" Two Handle Laundry Faucet**



### **FEATURES & BENEFITS**

OPC-386CA  
Chrome Finish

- Metal Wing Handles
- Washerless Cartridges
- Max Flow Rate 2.2 GPM (8.3 L/MIN) At 60 PSI  
With Aerator  
(ASME A112.18.1M/A112.18.1)

#### **APPROVALS:**

**Meets or Exceeds The Following:**

- \* ANSI/ASME A112.18.1M/A112.18.1
- \* IAPMO/cUPC
- \* CA AB1953



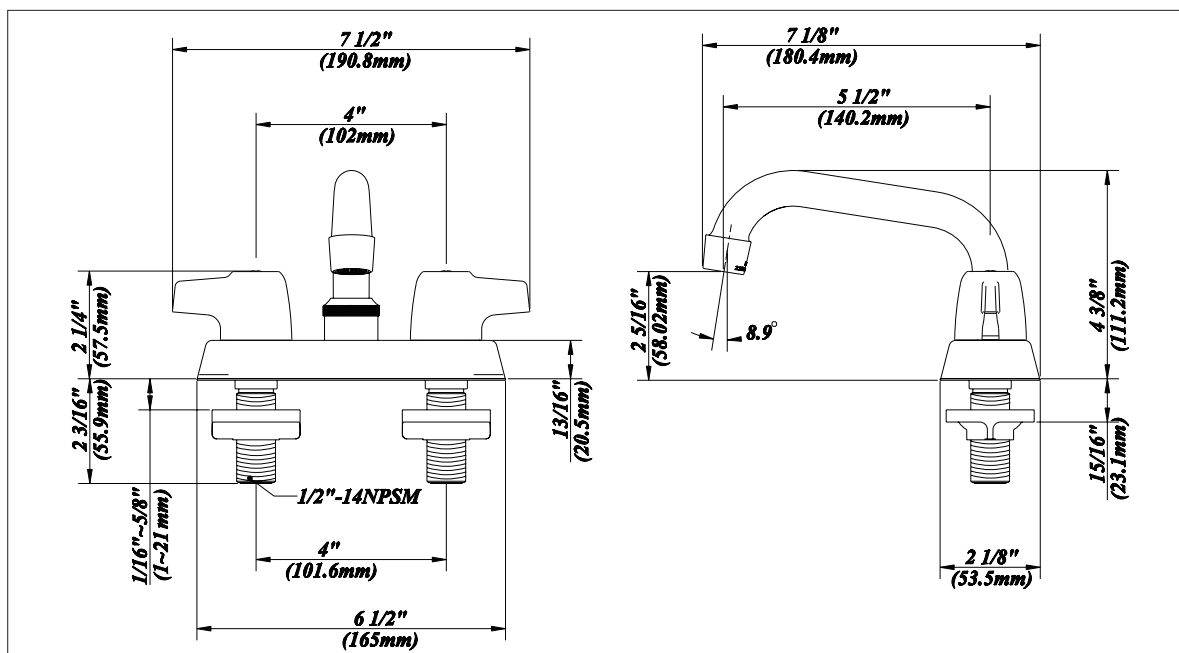
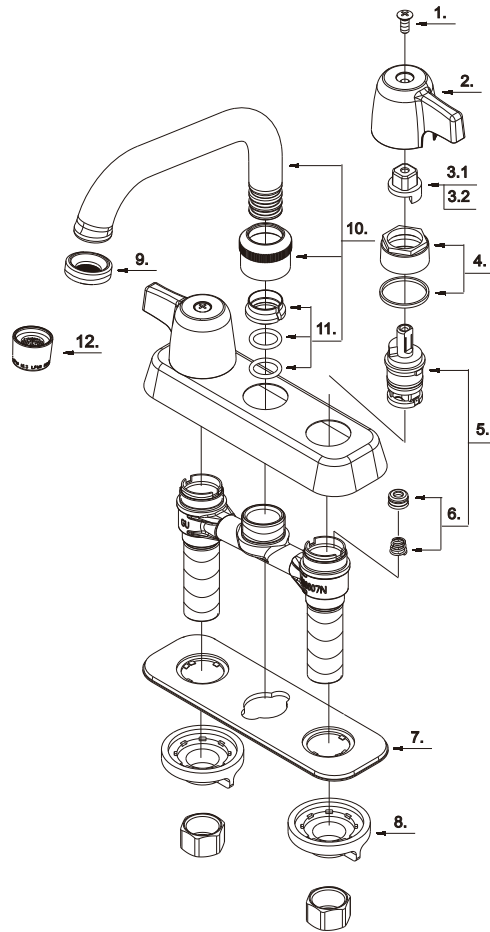
**Product Spec Sheet**

**TEL:** 800-217-4603

**Visit Our Web Site :** [www.omniprofaucets.com](http://www.omniprofaucets.com)

# 4" Two Handle Laundry Faucet

No.	Name	Part No.
1	Screw (3/16" -24 * 7/16" L)	A008049
2	Metal Handle	A069790
3.1	Handle Adaptor-Cold	A110039C
3.2	Handle Adaptor-Hot	A110039H
4	Retainer Nut & Washer	A663629
5	Cartridge Assembly	A66D636N
6	Seat & Spring Set	A663002
7	Putty Plate	A011018
8	Lock Nut Set	A504023
9	Flow Straightener	A500003N
10	Spout Assembly	A666146N
11	Spout Seal Kit	A603235N
12	Aerator	A500549N-50



**Product Spec Sheet**