

**OPA-480C**

**OPA-480BN**

Omnipro

**OPA-480ORB**

**OPA-480MB**

## **8" Two Handle Widespread Lavatory Faucet**

# Product Spec Sheet



### **FEATURES & BENEFITS**

- This Product Contains Less Than 0.25% Weighted Average Lead Content On Wetted Surfaces
- Metal Lever Handle
- Ceramic Cartridge
- Metal Pop-up
- Max Flow Rate 1.2GPM(4.5L/Min) At 60PSI (ASME A112.18.1/A112.18.1)

OPA-480C  
Chrome Finish

OPA-480BN  
Brushed Nickel Finish

OPA-480ORB  
Oil Rubbed Bronze Finish

OPA-480MB  
Matte Black Finish

### **Approvals:**

Meets or Exceeds The Following:

- \* ASME A112.18.1/CSA B125.1
- \* NSF/ANSI 61
- \* NSF/ANSI 372
- \* IAPMO/cUPC
- \* CA AB1953
- \* EPA WaterSense
- \* NSF/ANSI/CAN 61:  $Q \leq 1$



**TEL: 800-217-4603**

**FAX: 877-992-2846**

Visit Our Web Site : [www.omniprofaucets.com](http://www.omniprofaucets.com)

**OPA-480C**  
 **OPA-480ORB**

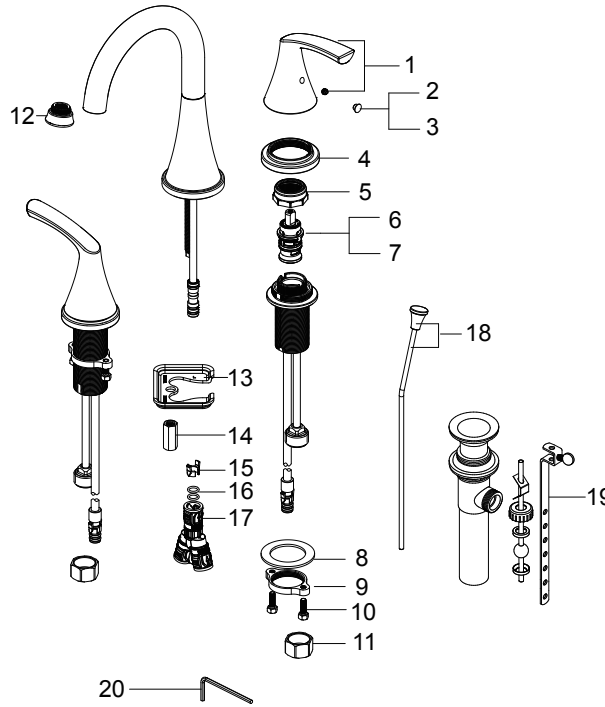
**OPA-480BN**  
 **OPA-480MB**

Omni**pro**

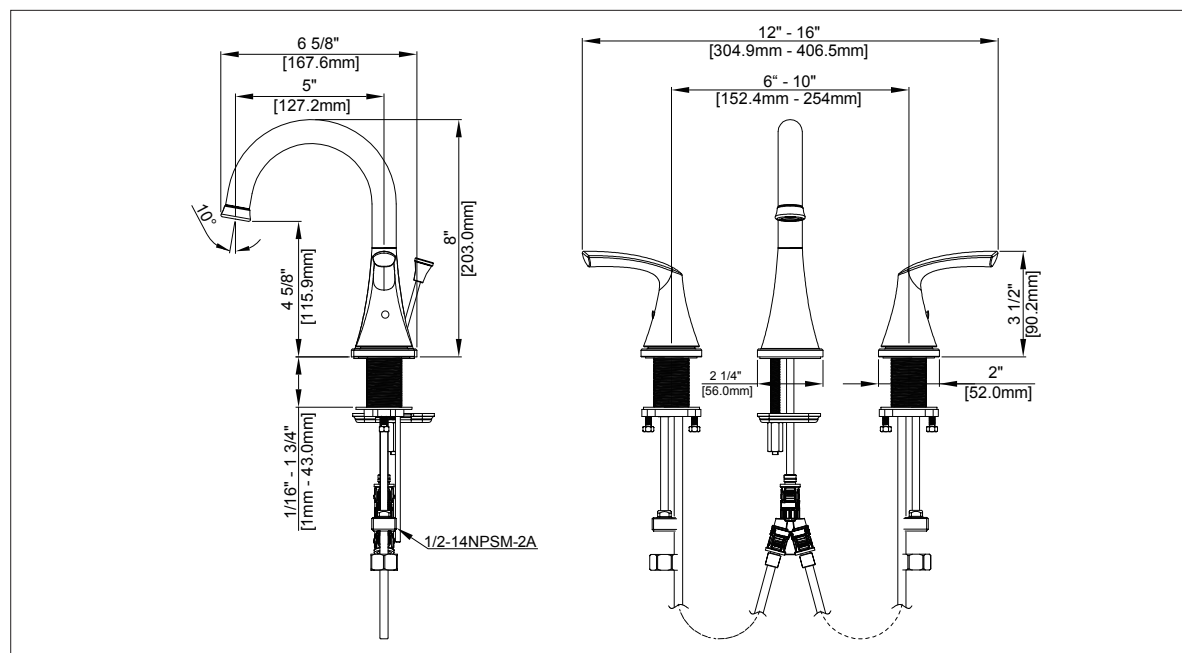
## 8" Two Handle Widespread Lavatory Faucet

No.	Name	Part No.
1	Handle / Llave	RP13539*
2	Index H/ Índice H	RP10004
3	Index C/ Índice C	RP10005
4	Flange / Ribete	RP80306*
5	Bonnet / Capuchón	RP70435
6	Cartridge H / Cartucho H	RP20067
7	Cartridge C/ Cartucho C	RP20068
8	Metal Washer/ Arandela metálica	RP64147
9	Nut / Tuerca	RP56059
10	Screw / Tornillo	RP50004
11	Coupling Nut / Tuerca de acoplamiento	RP56002
12	Aerator / Aireado	RP30212*
13	Washer/ Arandela	RP70228
14	Nut/ Tuerca	RP56073
15	Block / Bloque	RP70421
16	O-ring / Aro tórico	RP60002
17	Quick connecting assembly / Ensamblaje de conexión rápida	RP70595
18	Lift rod & Lift Rod knob / Perilla de la varilla de extensión & Varilla de elevación	RP40151*
19	Pop-up Assembly Less Lift Rod / AEnsamble del Desagüe Automático Menos la Barra de Alzar	RP40001*
20	Hex Allen Wrench / Hex Llave Allen	RP70221

\* Specify Finish  
 \* Especifique el Acabado



Product Spec Sheet



TEL: 800-217-4603 FAX: 877-992-2846

Visit Our Web Site :  
[www.omniprofaucets.com](http://www.omniprofaucets.com)