

□ **OPC-150C** □ **OPC-150SS**

OmniPro

Single Handle Pullout Kitchen Faucet

Product Spec Sheet



FEATURES & BENEFITS

- This Product Contains Less Than 0.25% Weighted Average Lead Content On Wetted Surfaces
- Metal Lever Handle
- Ceramic Cartridge
- Optional Deck Plate Included
- Max Flow Rate 1.5 gpm (5.7 L/min) at 60 psi (ASME A112.18.1M/A112.18.1)

OPC-150C
Chrome Finish

OPC-150SS
Stainless Steel Finish

APPROVALS:

Meets or Exceeds The Following:

- * ANSI/ASME A112.18.1M/A112.18.1
- * NSF/ANSI 61 - Sec. 9
- * NSF/ANSI 372
- * IAPMO/cUPC
- * CA AB1953



NSF/ANSI 372
NSF/ANSI 61-9

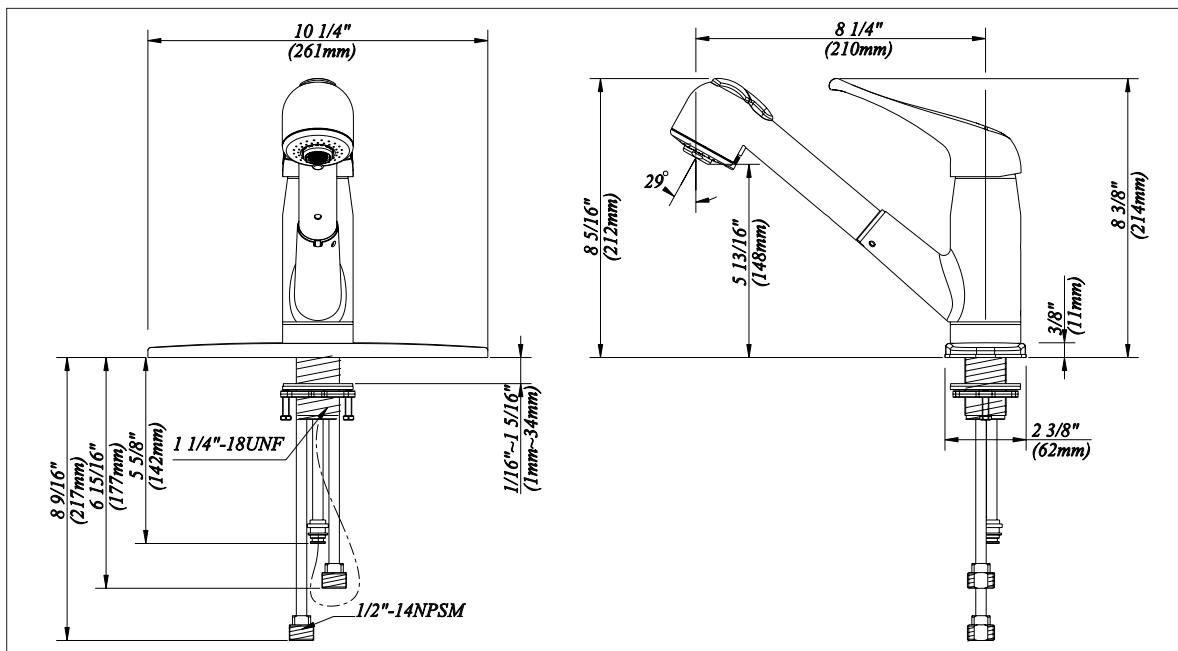
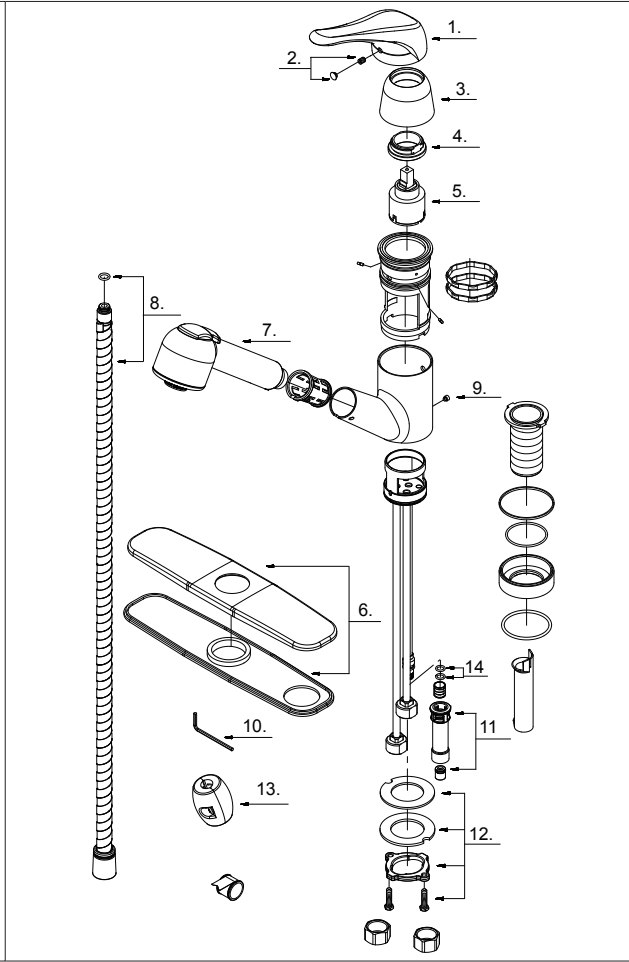


TEL: 800-217-4603

Visit Our Web Site : www.omniprofaucets.com

Single Handle Pullout Kitchen Faucet

No.	Name	Part No.
1	Metal Handle	A069528
2	Index Button-Cold/Hot	A66G053
3	Trim Cap	A103037
4	Locking Nut	A104008
5	Ceramic Disc Cartridge	A507348N
6	Cover Plate & Putty Plate	A667003
7	Hand Spray w/Check Valve	A523036N-50
8	Spray Hose	A065171
9	Screw	(3/16"-32 UNEF * 3/16" L) A008026
10	Hex Wrench	(H2.5 * 19 mm L * 53 mm L) A031000NI
11	Hose Adaptor Assembly	A66G422N
12	Mounting Hardware Assembly	A663042
13	Weight	A504718
14	O-Ring set	(Φ1/4" ID * Φ3/8" OD) A668178N



Product Spec Sheet