

OPB-900C **OPB-900BN** **OPB-900ORB**
 OPB-900CJP **OPB-900BNJP** **OPB-900ORBJP**

OmniPro[®]

Two Handle Roman Tub Faucet



FEATURES & BENEFITS

- Metal Lever Handles
- Ceramic Cartridges
- Min Flow Rate 4.0 gpm (15.1 L/min) at 20 psi (ASME A112.18.1)

APPROVALS:

Meets or Exceeds The Following:

- * ANSI/ASME A112.18.1
- * IAPMO/cUPC

OPB-900C
Chrome Finish

OPB-900BN
Brushed Nickel Finish

OPB-900ORB
Oil Rubbed Bronze Finish

OPB-900CJP
Trim Kit For Roman Tub
Chrome Finish

OPB-900BNJP
Trim Kit For Roman Tub
Brushed Nickel Finish

OPB-900ORBJP
Trim Kit For Roman Tub
Oil Rubbed Bronze Finish



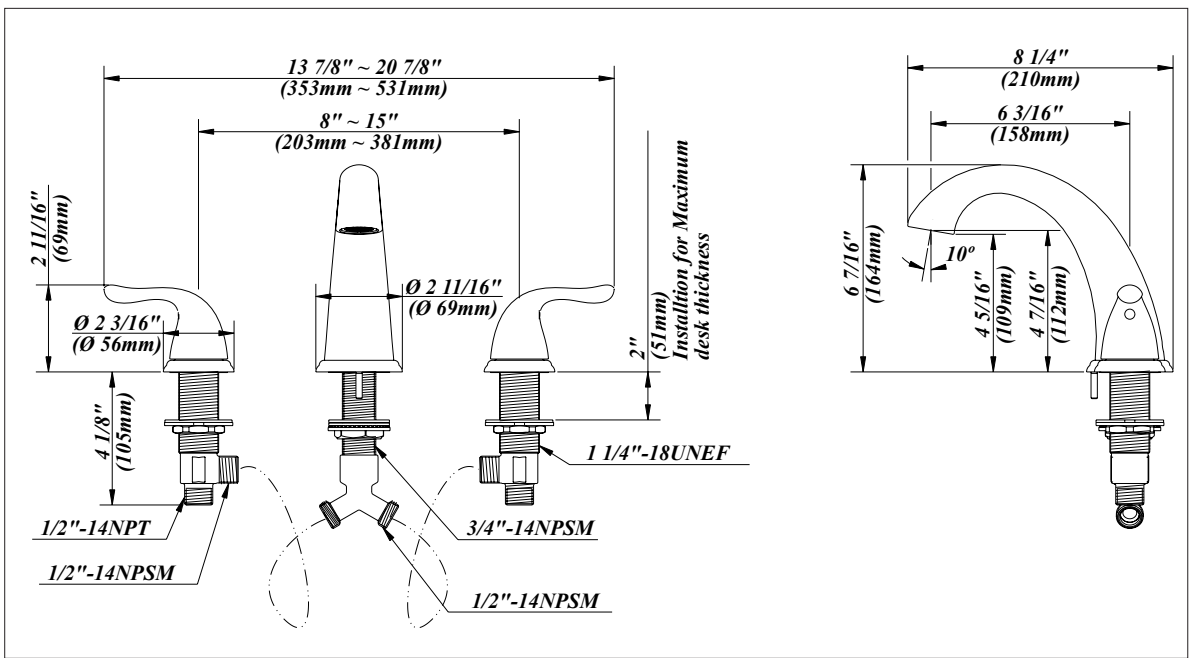
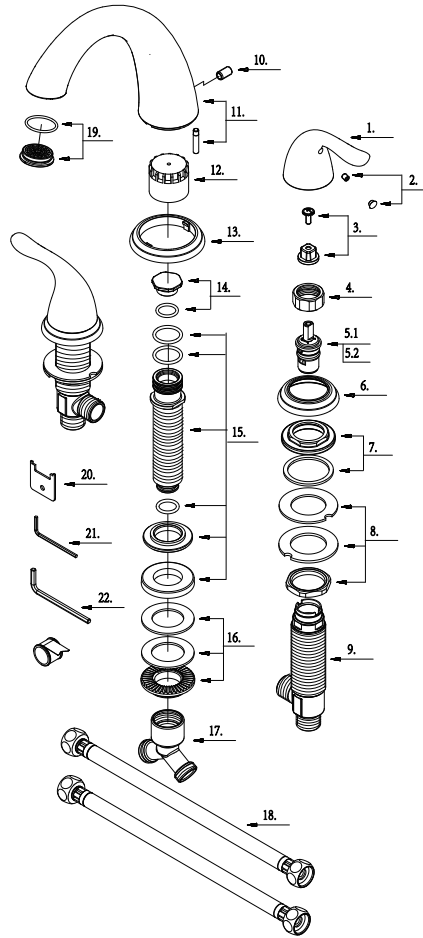
Product Spec Sheet

TEL: 800-217-4603

Visit Our Web Site : www.omniprofaucets.com

Two Handle Roman Tub Faucet

No.	Name	Part No.
1	Metal Handle	A069108
2.1	Index Button-Cold	A603595C
2.2	Index Button-Hot	A603595H
3	Handle Adaptor	A66D880
4	Retainer Nut	A016259
5.1	Ceramic Disc Cartridge -Cold	A507102N
5.2	Ceramic Disc Cartridge -Hot	A507101N
6	Handle Trim Ring	A215497
7	Handle Base	A66D928
8	Mounting Hardware	A66D626
9	Handle Valve Body	A002570
10	Screw(5/16" -18 UNC * 1/2" L)	A065027
11	Spout Set	A66D645
12	Spout Rough In Cap	A045153
13	Spout Trim Ring	A303463
14	Spout Plug	A603046
15	Spout Body	A66D929
16	Mounting Hardware	A663491
17	"Y" Adaptor	A015224
18	Supply Hose	A105051
19	Flow Straightener	A603646
20	Flow Straightener Wrench	A031214NI
21	Hex Wrench (H2.5 * 19 mm L * 53 mm L)	A031000NI
22	Hex Wrench (H4 * 20 mm L * 70 mm L)	A031011NI



Product Spec Sheet