

**OPB-500C**  
 **OPB-5000RB**

**OPB-500BN**

**OmniPro**

## **Single Handle Lavatory Faucet**



### **FEATURES & BENEFITS**

- This Product Contains Less Than 0.25% Weighted Average Lead Content On Wetted Surfaces
- Metal Lever Handle
- Ceramic Cartridge
- Brass Pop-up
- Single Hole Or Three Hole Installation
- Max Flow Rate 1.2 gpm (4.5 L/min) at 60 psi (ASME A112.18.1M/A112.18.1)

OPB-500C  
Chrome Finish

OPB-500BN  
Brushed Nickel Finish

OPB-500ORB  
Oil Rubbed Bronze Finish

### **APPROVALS:**

**Meets or Exceeds The Following:**

- \* ANSI/ASME A112.18.1M/A112.18.1
- \* NSF/ANSI 61 - Sec. 9
- \* NSF/ANSI 372
- \* IAPMO/cUPC
- \* CA AB1953



NSF/ANSI 372  
NSF/ANSI 61-9



**Product Spec Sheet**

**TEL: 800-217-4603**

Visit Our Web Site : [www.omniprofaucets.com](http://www.omniprofaucets.com)

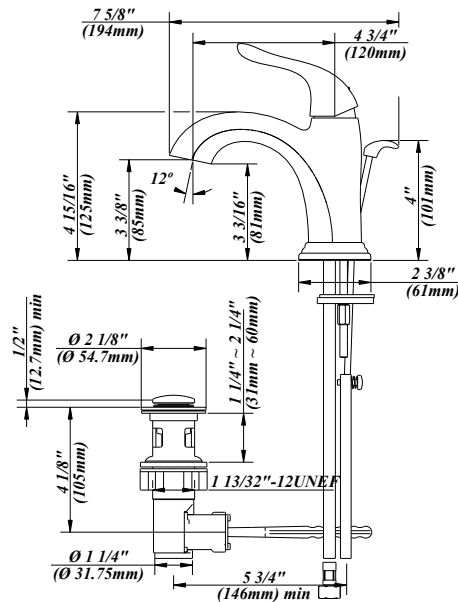
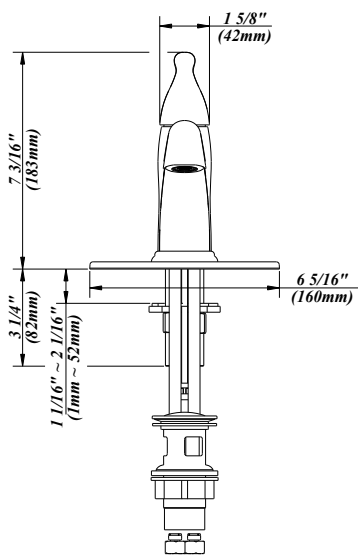
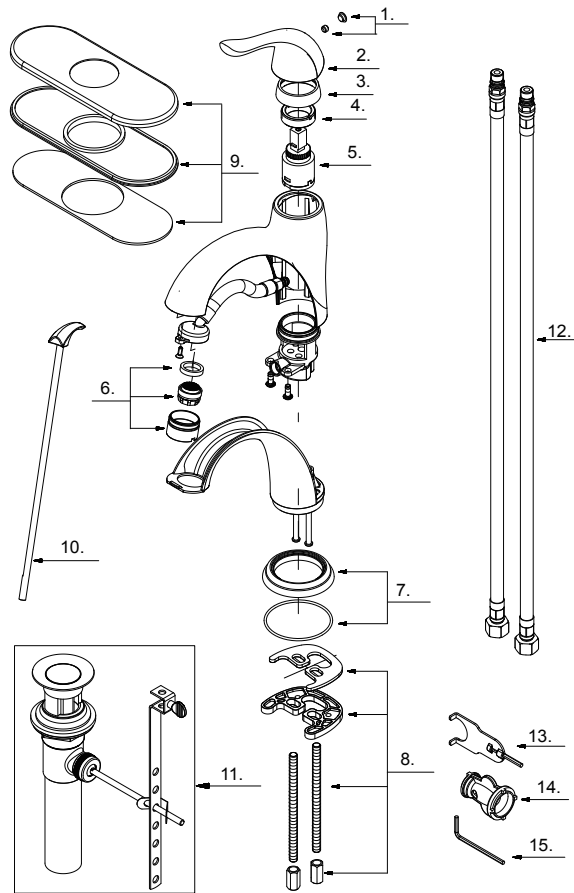
**OPB-500C**  
 **OPB-500ORB**

**OPB-500BN**

**OmniPro**

# Single Handle Lavatory Faucet

No.	Name	Part No.
1	Index Button	A66G325
2	Metal Handle	A069215
3	Trim Cap	A103005
4	Locking Nut	A104322
5	Ceramic Disc Cartridge	A507906N
6	Aerator	A500026N-51-T
7	Spout Trim Ring	A66F537
8	Mounting Hardware Assembly	A603106
9	Cover Plate & Putty Plate	A66F594
10	Lift Rod	A124350
11	Pop-up Assembly	A505016
	Pop-up Assembly (for ORB finish)	A556200
12	Supply Hose	A105652W
13	Wrench	A031022NI
14	Aerator Wrench (20.6 * 27.4 * 40 * 36 mm)	A031245
15	Hex Wrench (H2.5 * 19 mm L * 53mmL)	A031000NI



**Product Spec Sheet**

TEL: 800-217-4603

Visit Our Web Site : [www.omniprofaucets.com](http://www.omniprofaucets.com)