

**OPB-250CWJP**  
 **OPB-260CWJP**

**OPB-250SSWJP**  
 **OPB-260SSWJP**

**OmniPro**

## 8" Two Handle Kitchen Faucet



### FEATURES & BENEFITS

- This Product Contains Less Than 0.25% Weighted Average Lead Content On Wetted Surfaces
- Metal Lever Handles
- Washerless Cartridges
- With Side Spray
- Max Flow Rate 1.5 gpm (5.7 L/min) at 60 psi (ASME A112.18.1M/A112.18.1)

#### APPROVALS:

Meets or Exceeds The Following:

- \* ANSI/ASME A112.18.1M/A112.18.1
- \* NSF/ANSI 61 - Sec. 9
- \* NSF/ANSI 372
- \* IAPMO/cUPC
- \* CA AB1953

OPB-260CWJP  
Chrome Finish

OPB-260SSWJP  
Stainless Steel Finish

OPB-250CWJP  
Less Side Spray  
Chrome Finish

OPB-250SSWJP  
Less Side Spray  
Stainless Steel Finish



NSF/ANSI 372  
NSF/ANSI 61-9



**TEL: 800-217-4603**

Visit Our Web Site : [www.omniprofaucets.com](http://www.omniprofaucets.com)

**Product Spec Sheet**

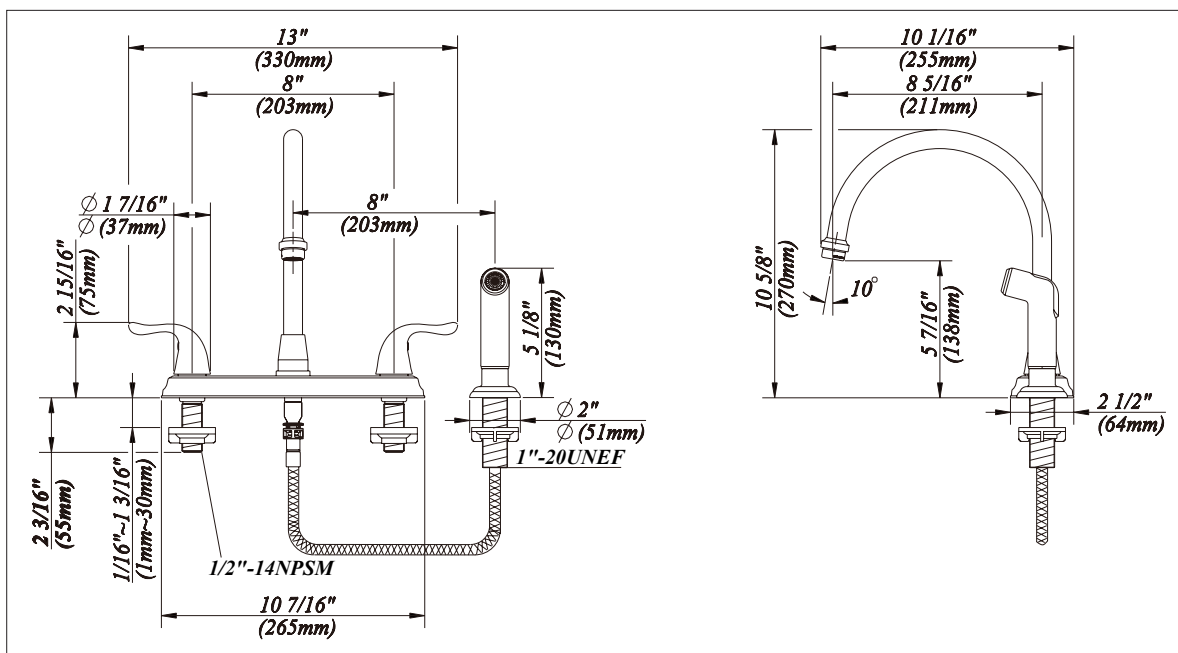
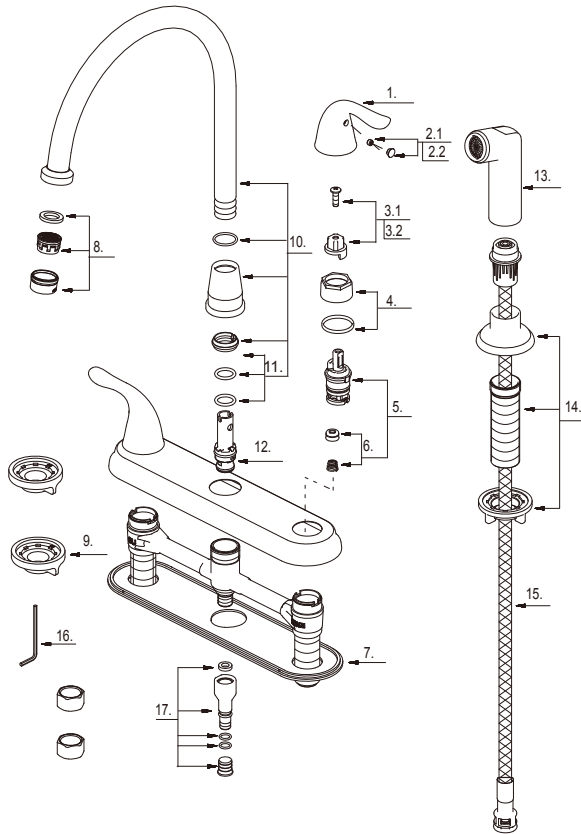
**OPB-250CWJP**  
 **OPB-260CWJP**

**OPB-250SSWJP**  
 **OPB-260SSWJP**



# 8" Two Handle Kitchen Faucet

No.	Name	Part No.
1	Metal Handle	A069115
2.1	Index Button-Cold	A603595C
2.2	Index Button-Hot	A603595H
3.1	Handle Adaptor-Cold	A66D563C
3.2	Handle Adaptor-Hot	A66D563H
4	Retainer Nut & Washer	A66D630
5	Cartridge Assembly	A663003
6	Spring & Seat Set	A663002
7	Putty Plate	A011003
8	Aerator	A500872N
9	Lock Nut Set	A504023
10	Spout Assembly	A666125N
11	Spout Seal Kit	A663044N
12	Spray Diverter w/Vacuum Breaker	A66G391
13	Side Spray	A503002N
14	Spray Holder Assembly (3-15/16" L)	A220008
15	Spray Hose	A512139N
16	Hex Wrench (H 2.5 * 19 mm L * 53 mm L)	A031000NI
17	Sealing Kit	A66G352N



Product Spec Sheet

TEL: 800-217-4603

Visit Our Web Site : [www.omniprofaucets.com](http://www.omniprofaucets.com)